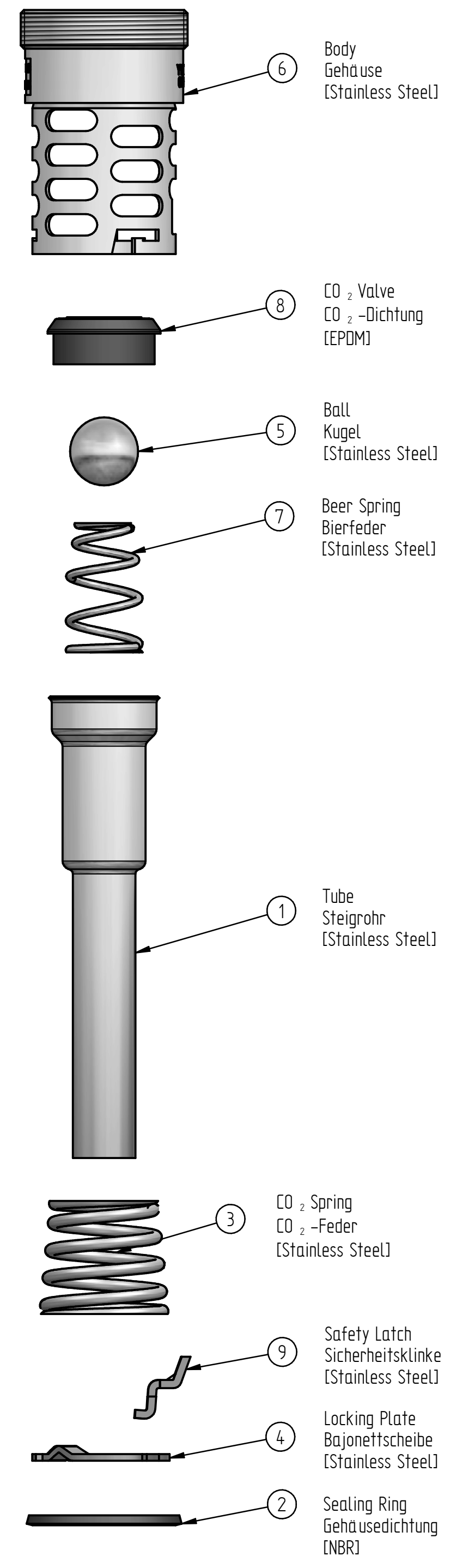
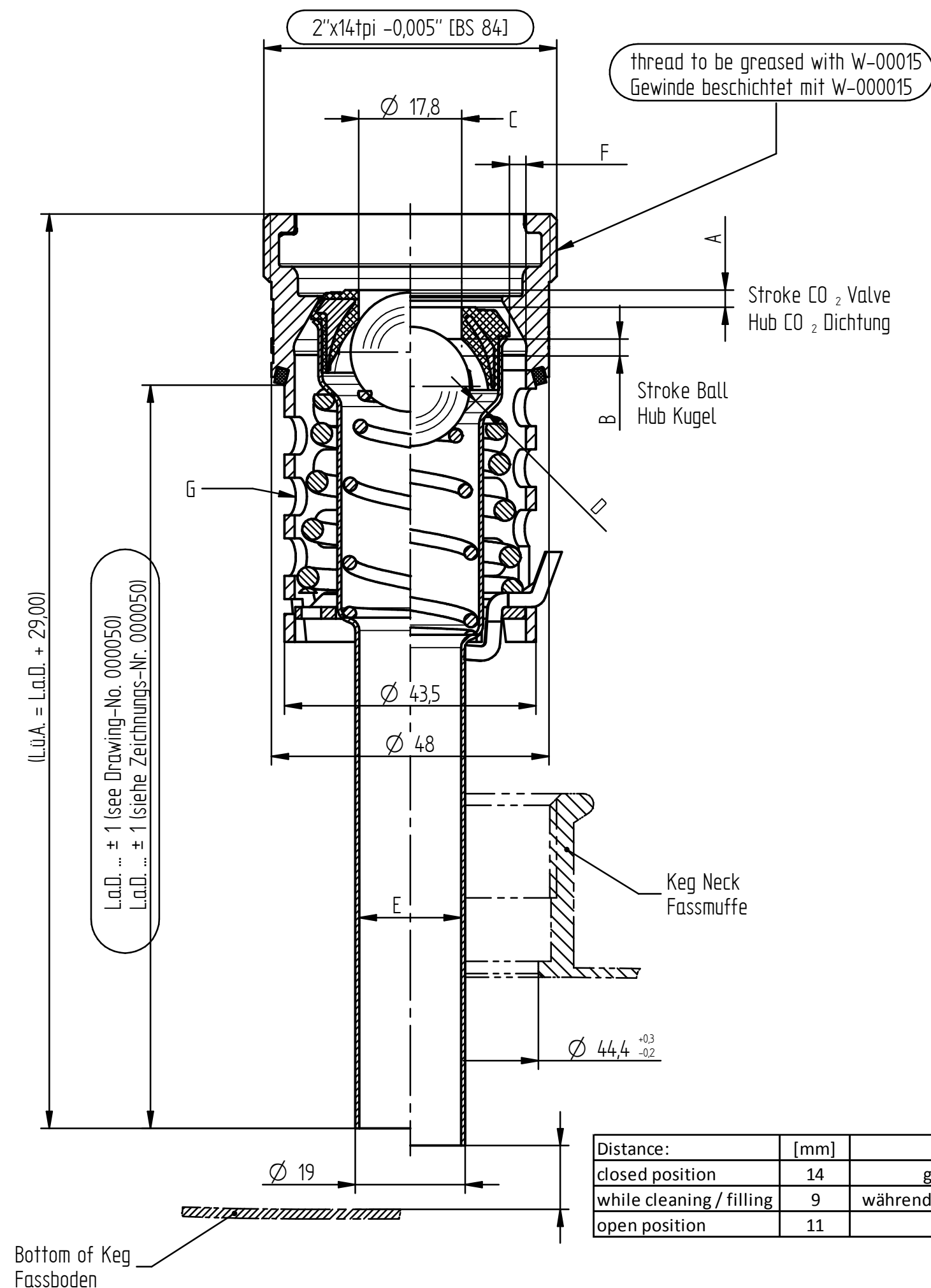


EN	DE
Product Information	Produktinformationen
according to DIN 6650, DIN 3542 and FDA regulations	Produkt nach DIN 6650, DIN 3542 und FDA Bestimmungen
gastight	gasdicht
for specific length calculation keg drawing or H3-dimension is needed according to DIN 6647	Für konkrete Längenberechnung wird die Keg-Zeichnung oder das H3-Maß nach DIN 6647 benötigt
mounting torque: 80±5 Nm	Anzugsdrehmoment: 80±5 Nm
temperature resistance short-time 160°C	Temperaturbeständigkeit kurzfristig 160°C
for more information www.dispensegroup.com	für mehr Informationen www.dispensegroup.com

EN	DE	open Position	while Cleaning / Filling	Hub und Öffnungsquerschnitte	offene Position	während Reinigung / Befüllen
I	CO <sub>2</sub> valve + tube part 8 + part 1 - part 6	A	3 mm	4-6 mm CO <sub>2</sub> Dichtung + Steigrohr Pos. 8 + Pos. 1 - Pos. 6	A	3 mm 4-6 mm
	ball part 5 - part 8	B	4 mm	Kugel Pos. 5 - Pos. 8	B	4 mm 6,5-8 mm
II	inside the seal part 8	C	250 mm <sup>2</sup>	innerhalb der Dichtung Pos. 8	C	250 mm <sup>2</sup>
	through inner tube part 5 - part 1	D	175 mm <sup>2</sup>	innerhalb des Steigrohres Pos. 5 - Pos. 1	D	175 mm <sup>2</sup> 115-130 mm <sup>2</sup>
	through inner tube $\phi 17,6$ part 1	E	240 mm <sup>2</sup>	innerhalb des Steigrohres $\phi 17,6$ Pos. 1	E	240 mm <sup>2</sup>
III	through outer tube part 6 - part 8	F	330 mm <sup>2</sup>	außerhalb des Steigrohres Pos. 6 - Pos. 8	F	330 mm <sup>2</sup>
	in part 6	G	2340 mm <sup>2</sup>	in Pos. 6	G	2340 mm <sup>2</sup>



weight calculation ± 5% / Gewichts Berechnung ± 5%

$$m [g] = (L. a. D. [mm] - 45) * 0,315 \frac{g}{mm} + 330g$$

Pos.	Quantity	Art.-No.	Title
1	1	000018	Down Tube WD Efes
2	1	026363.7	Sealing Ring
3	1	026365.9	Spring CO2
4	1	026367.0	Locking Plate
5	1	026703.6	Ball
6	1	028303.0	Body W 2"x14tpi
7	1	611056	Beer Spring
8	1	611060	CO2 Valve WD Blow-Off
9	1	611070	Safety Latch, flat

PRODUCT		REMARKS	LAST CHANGE	SCALE	WEIGHT
W DSI - Blow Off		DIN ISO 2768-mS ROUGHNESS DIN EN ISO 1302 EDGES DIN EN ISO 13715	1 x $\Delta$	1,2:1 (1:1,25)	VOLUME
DESIGN	DATE	NAME	TITLE		
AM	09.04.2015	lasako	Master Extractor Tube W DSI		
AM	3024				
DESIGN	DATE	NAME	TITLE		
AM	18.12.2017	bentl			
AM	18.12.2017	bentl			
C 611056 was 610552		18.12.2017	Kunze	3919	
B 611060 was 026704.7		15.05.2017	Kunze	3786	
A corrected rate of flow, Pos. 5 was Pos. 6		13.09.2016	Lasko	3593	
ALTERATIONS		DATE	NAME	AM	PROJ. DEV. GERMANY
REPL. -		REPL. BY -			

This drawing is the property of Dispense Systems International. The information is confidential and should not be copied for any other purpose without the prior written permission of DSI Getränkeanlagen GmbH. If in doubt, please ask. Samples are required after each revision.